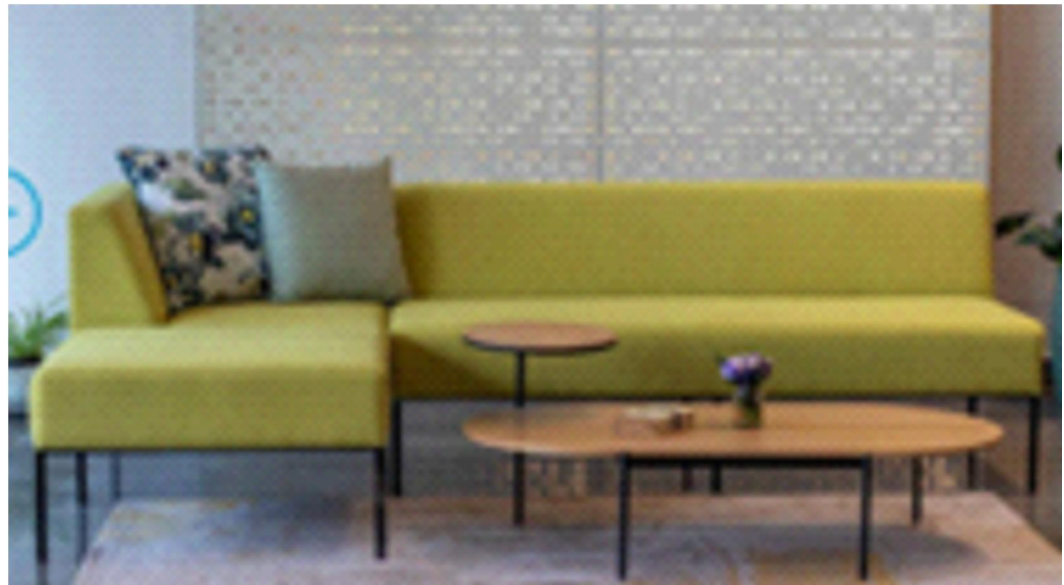
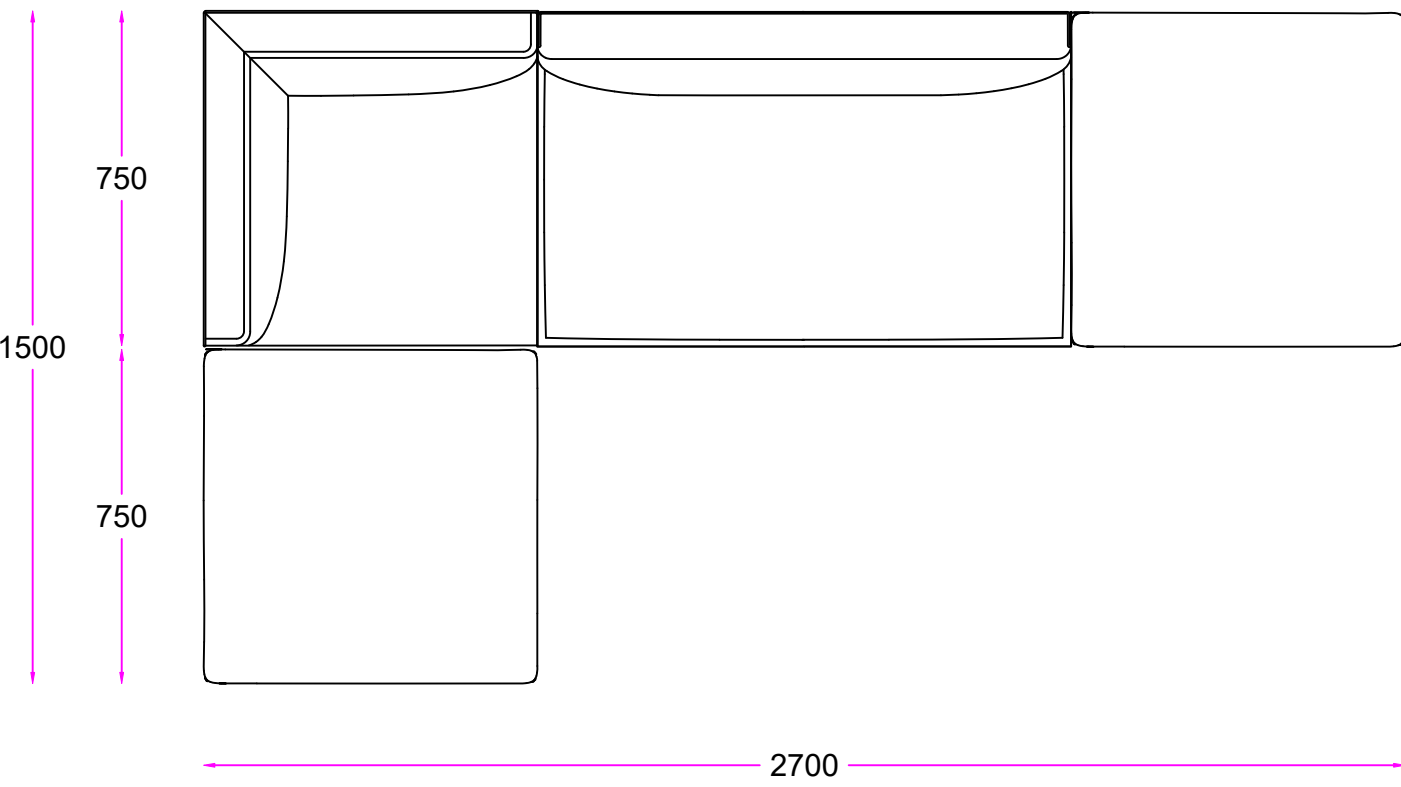
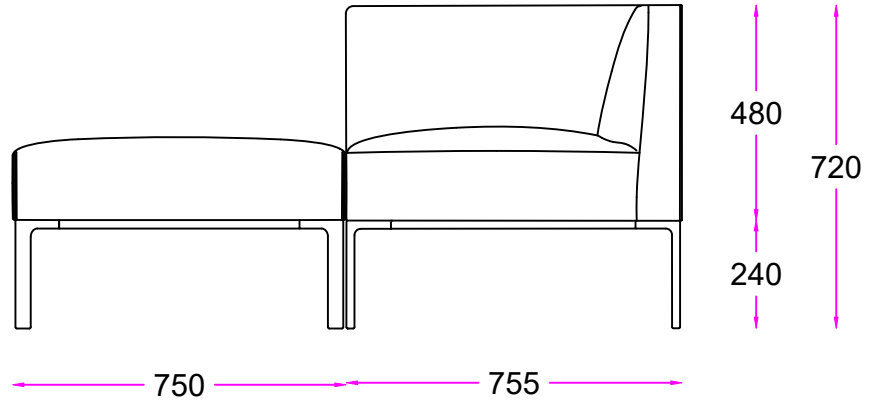
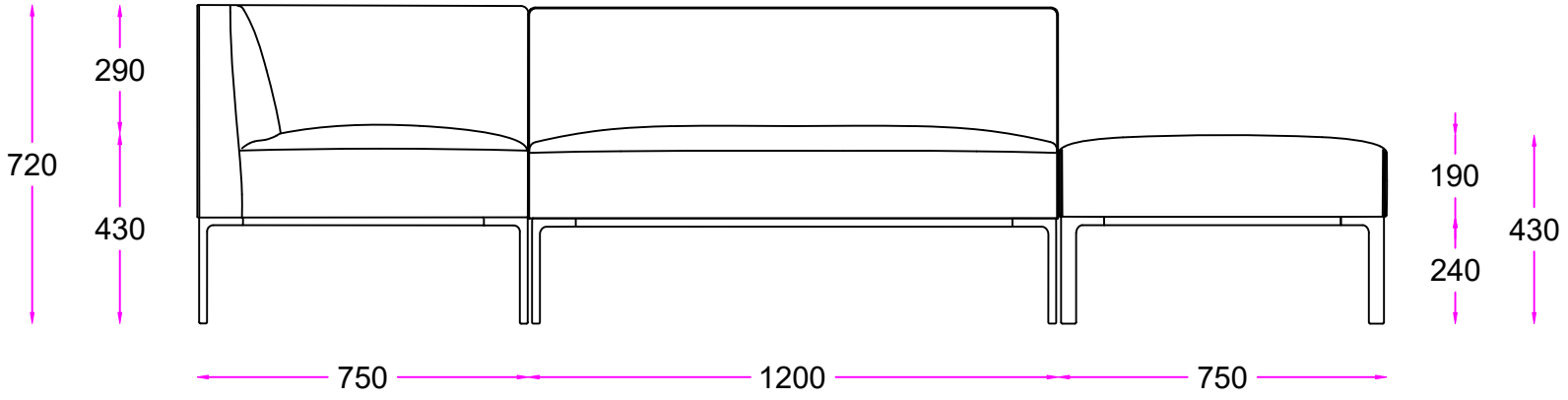



RULE SOFA W2700 X D1500 X H720MM



UNLESS OTHERWISE SPECIFIED DIMENSIONS ARE IN MILLIMETERS SURFACE FINISH: TOLERANCES: LINEAR: ANGULAR:	DEBUR AND BREAK SHARP EDGES	DO NOT SCALE DRAWING	REVISION
	MATERIAL:	DWG NAME: RULE SOFA	A3 SCALE: 1:21
DRAWN BY : SHAGUN SINGHAL		 ITALIAN • INSPIRED • CUSTOMISED	
DATE : 23-05-2023			