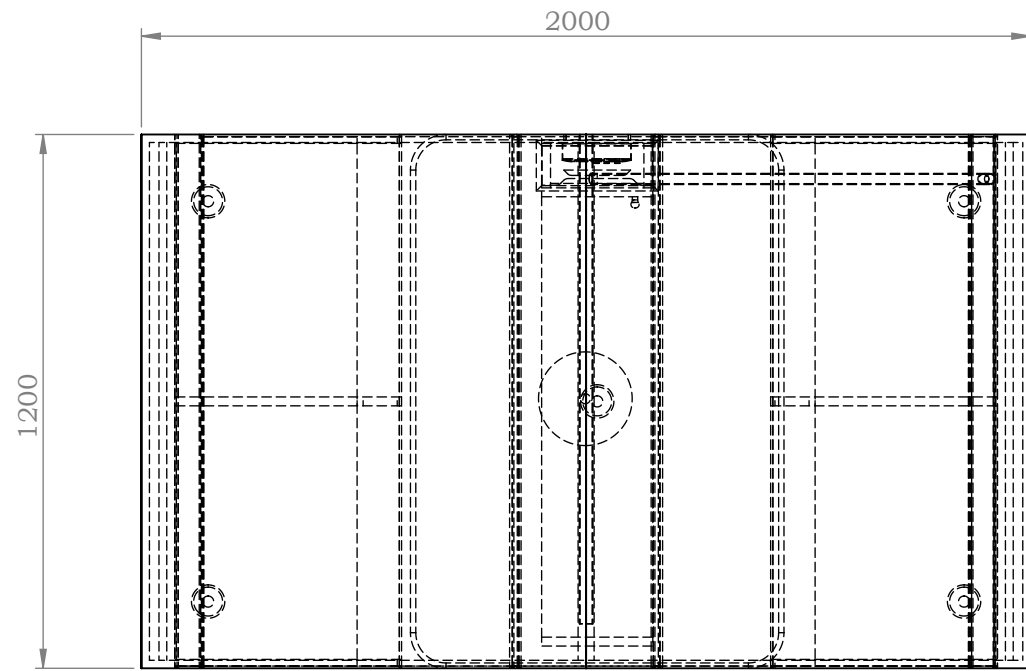
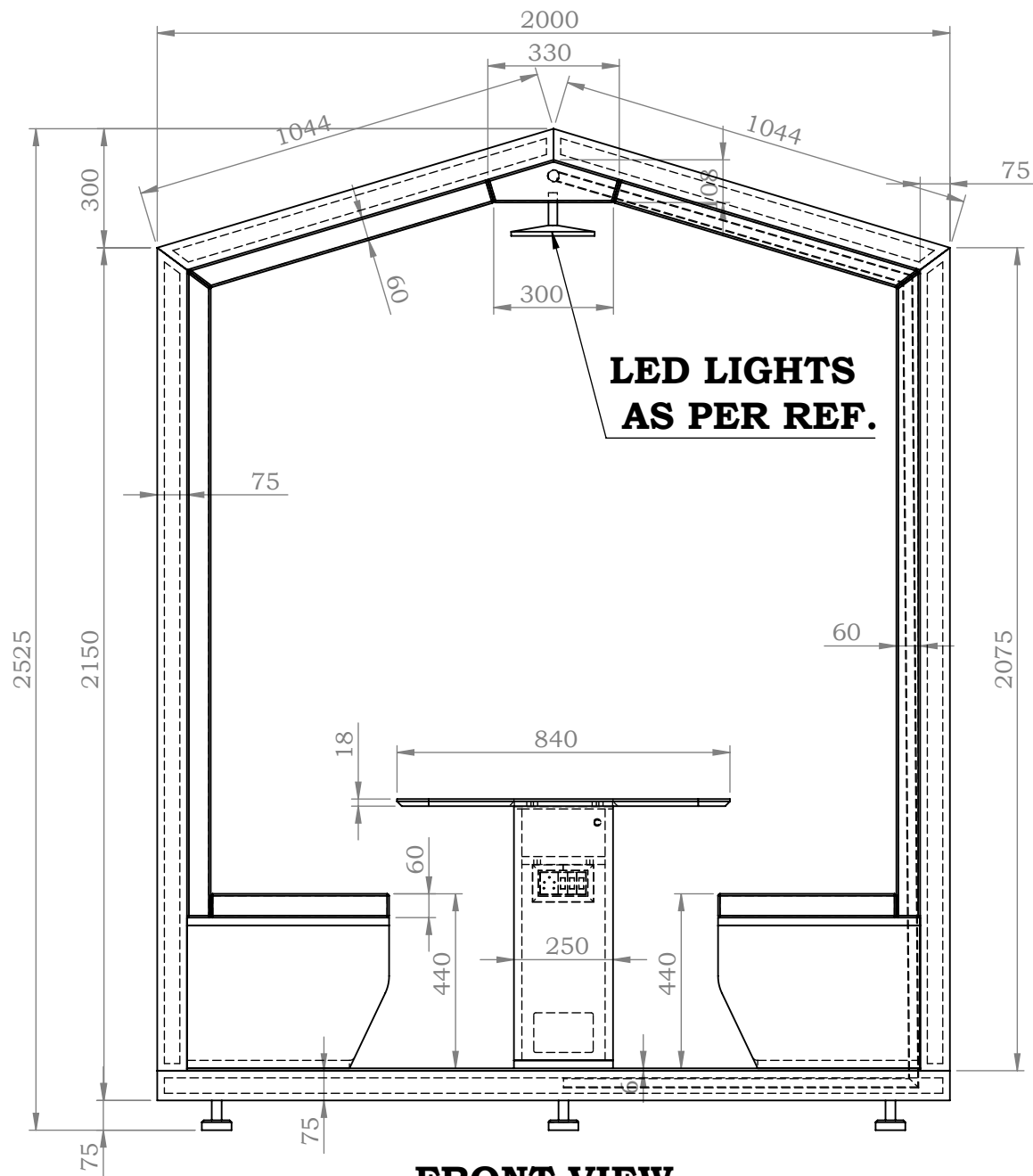


DEN - W2000 X D1200 X H2525 MM

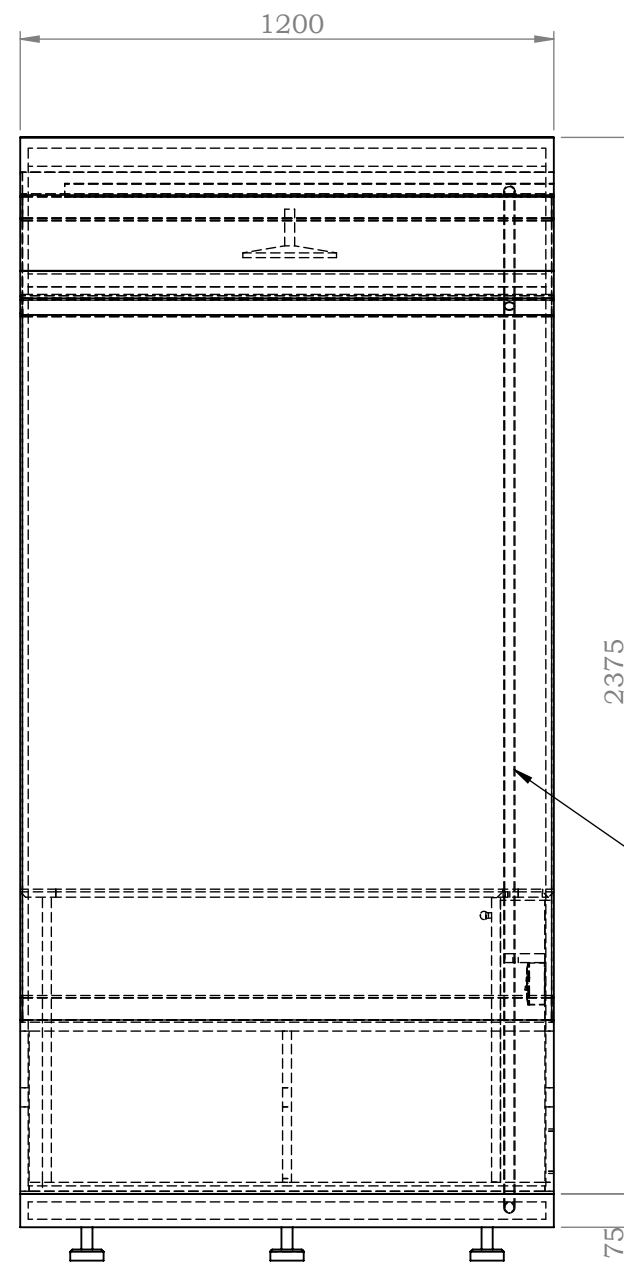


TOP VIEW

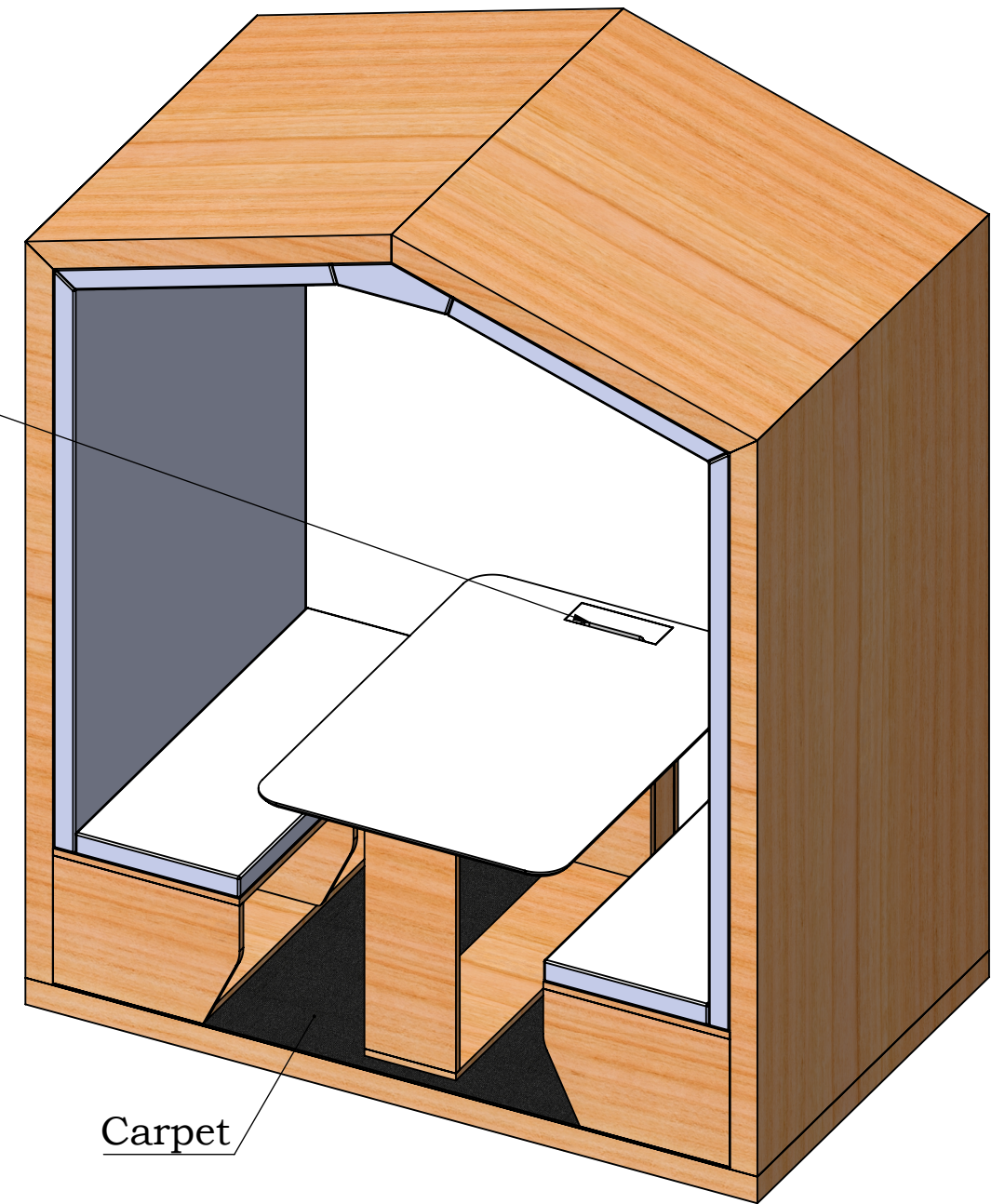


FRONT VIEW

CUT OUT AS PER SAMPLE




SIDE VIEW



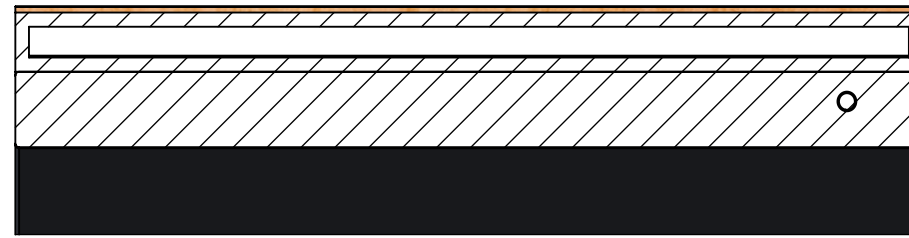
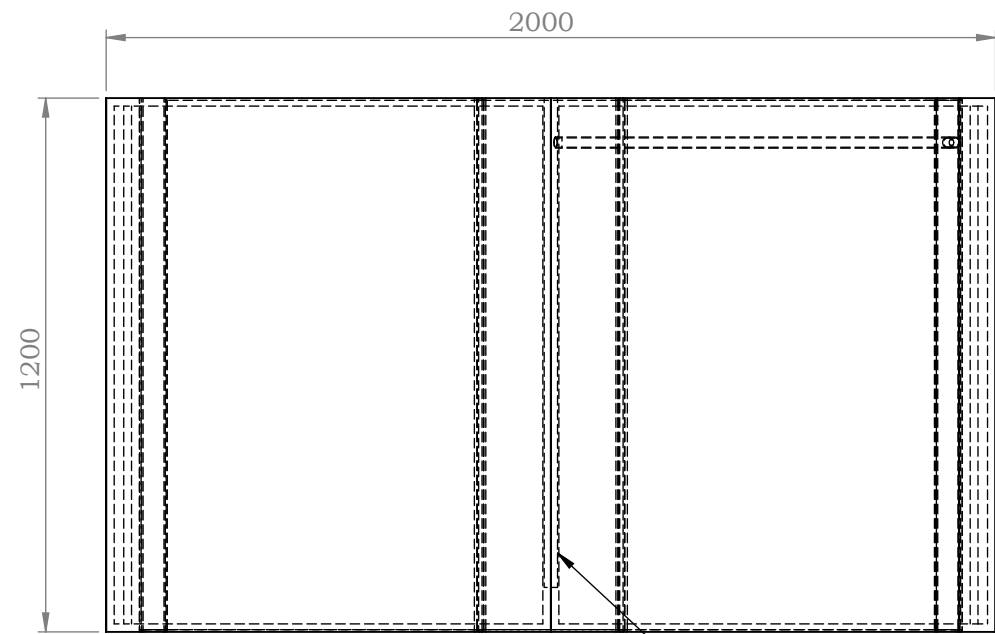
ISO VIEW

Carpet

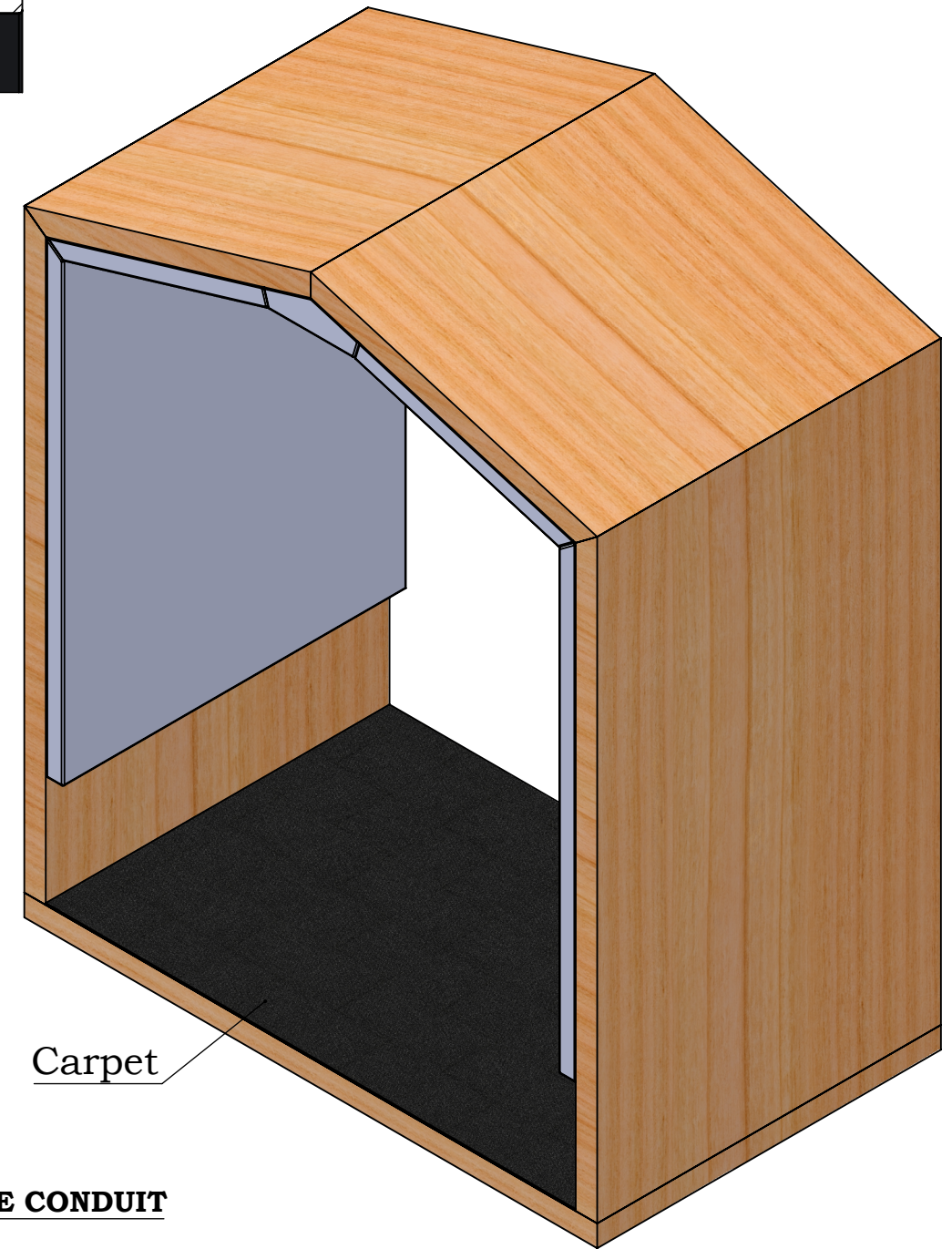
WIRE CONDUIT

UNLESS OTHERWISE SPECIFIED DIMENSIONS ARE IN MILLIMETERS SURFACE FINISH: TOLERANCES: LINEAR: ANGULAR:	DEBUR AND BREAK SHARP EDGES	DO NOT SCALE DRAWING	REVISION
	PROJECT:	DWG NAME: POD	SCALE:
			A3
DRAWN BY : RAHUL BISHT		 furniture & more	
DATE : 10-02-2023			

DEN - W2000 X D1200 X H2525 MM



TOP WIRE SECTION DETAIL



ISO VIEW

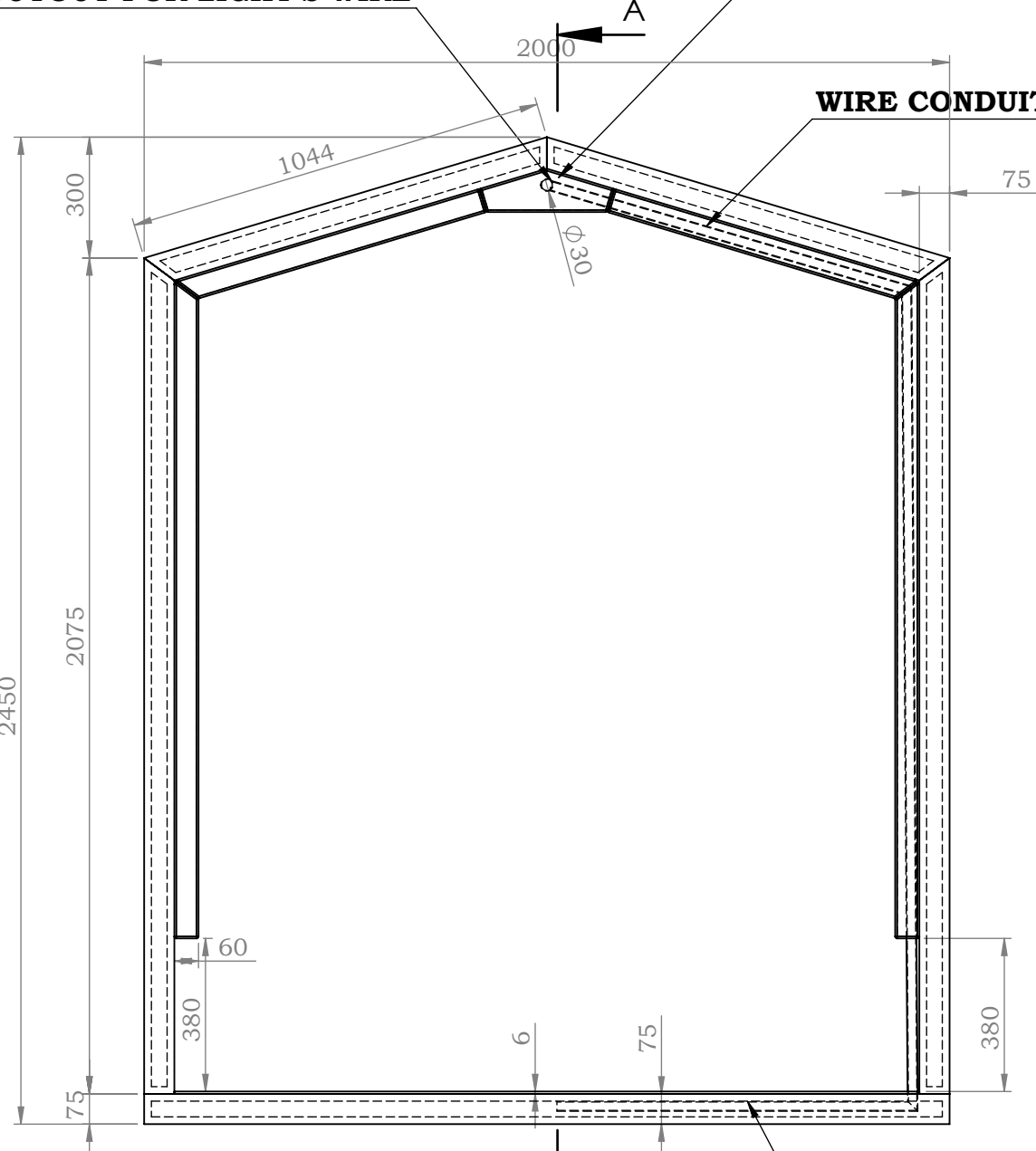
Carpet

WIRE CONDUIT

TOP VIEW

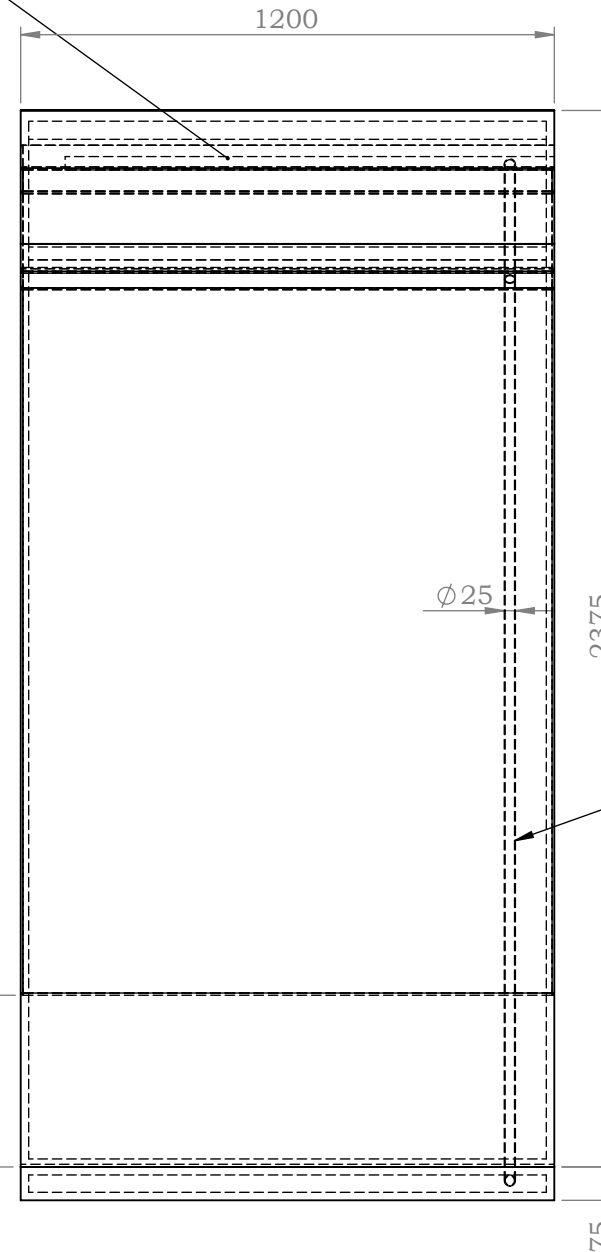
30 MM PIPE FOR WIRE

CUTOUT FOR LIGHT'S WIRE




FRONT VIEW

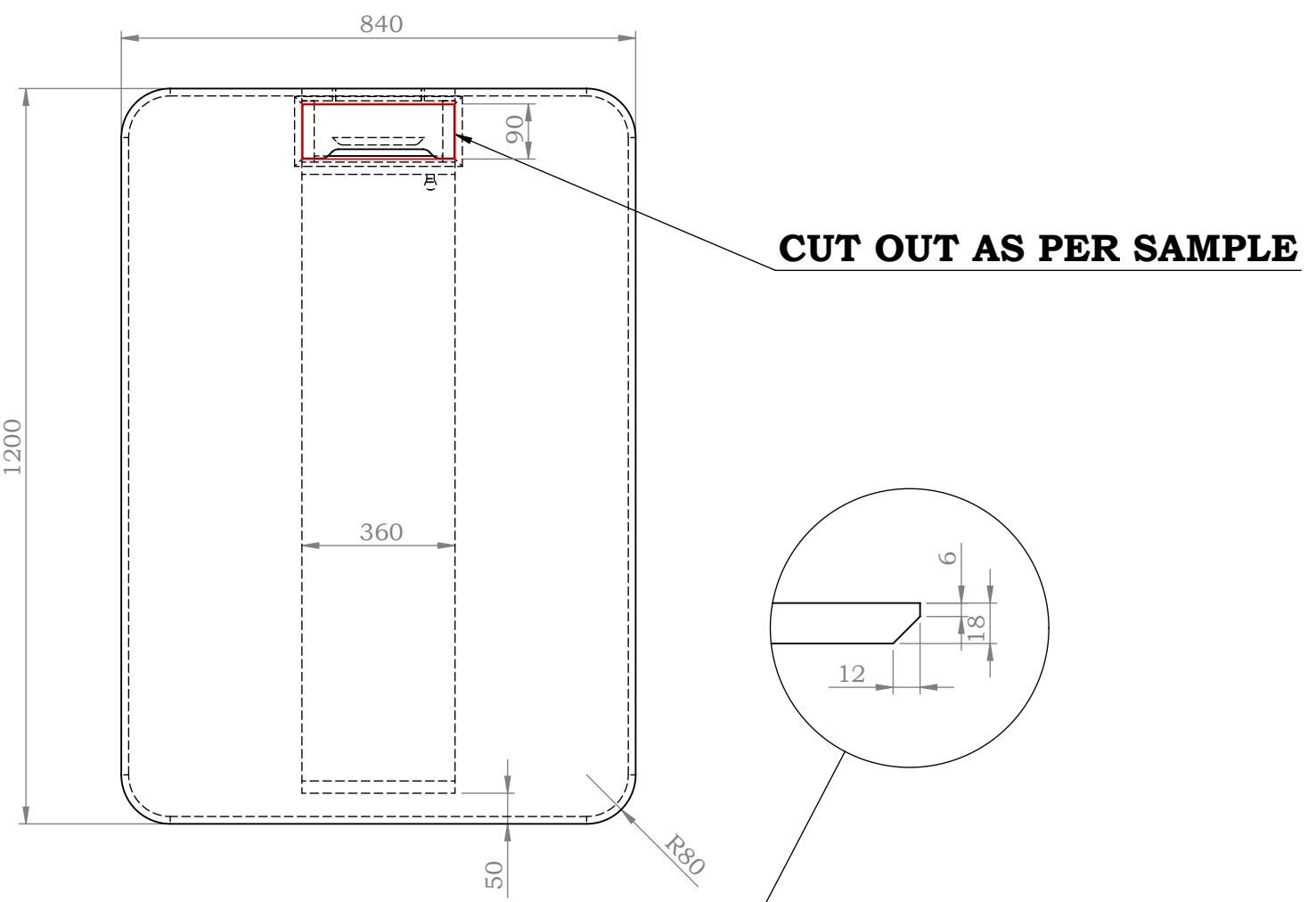
WIRE CONDUIT



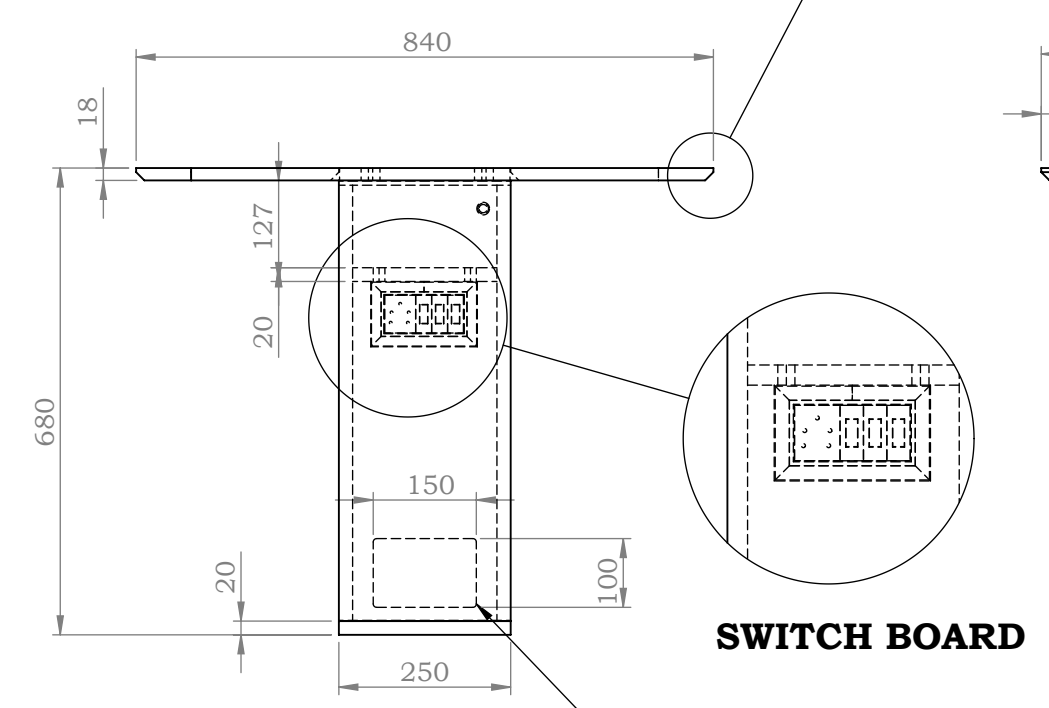
SIDE VIEW

UNLESS OTHERWISE SPECIFIED DIMENSIONS ARE IN MILLIMETERS SURFACE FINISH: TOLERANCES: LINEAR: ANGULAR:	DEBUR AND BREAK SHARP EDGES	DO NOT SCALE DRAWING	REVISION
	PROJECT:	DWG NAME: POD	SCALE:
			A3
DRAWN BY : RAHUL BISHT		 furniture & more	
DATE : 10-02-2023			

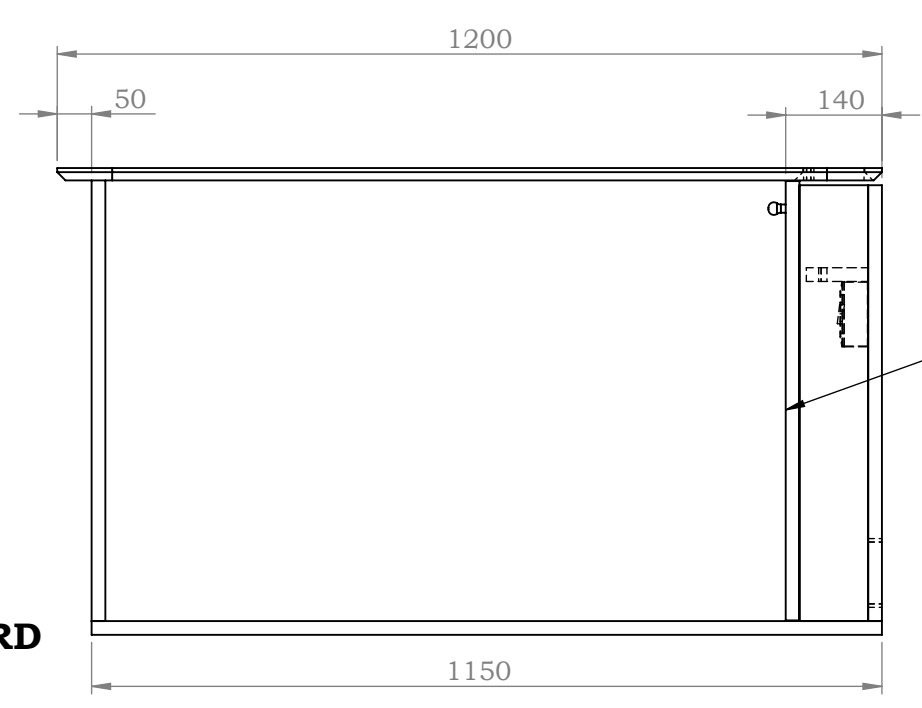
DEN - W2000 X D1200 X H2525 MM



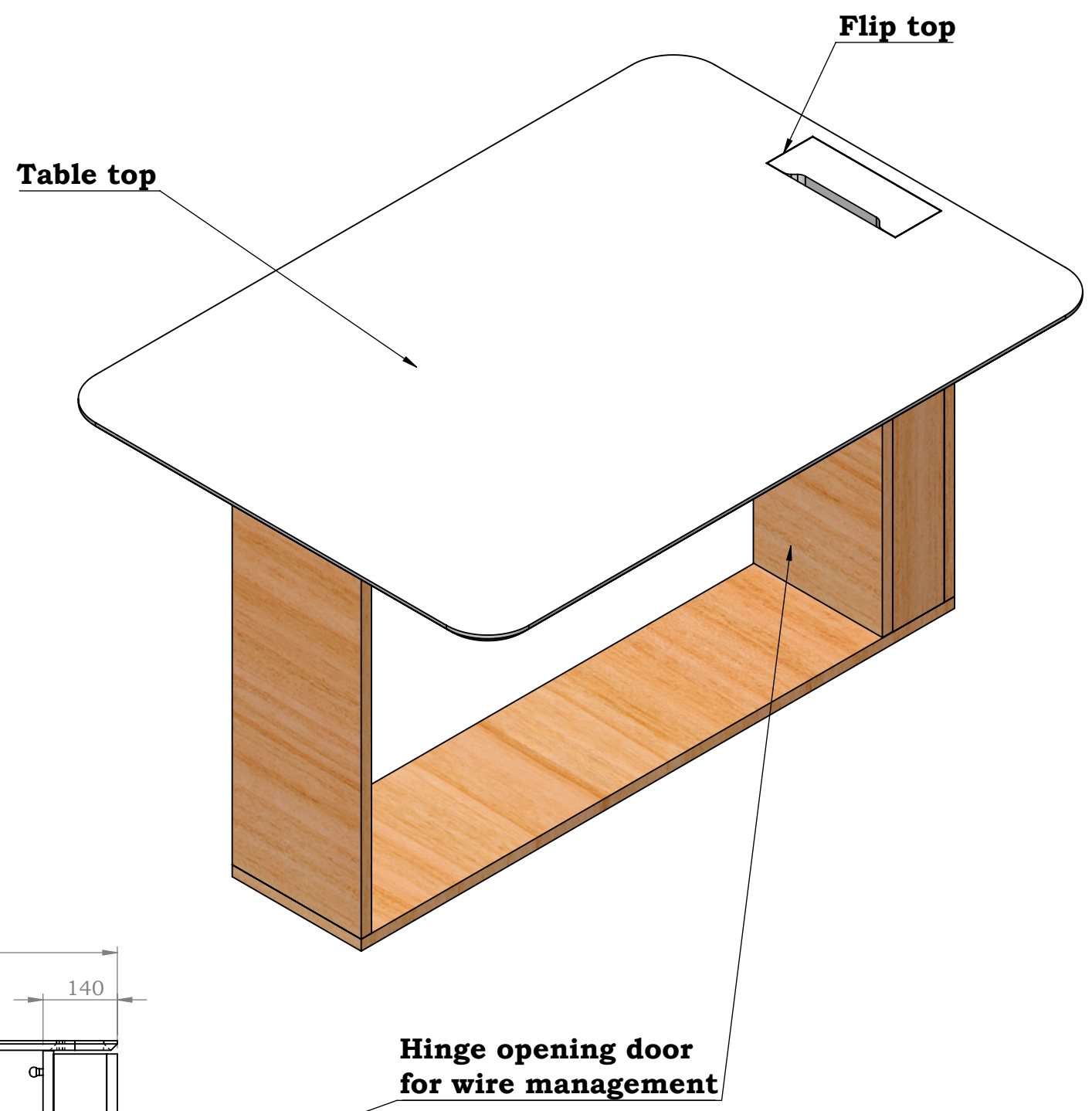
TOP VIEW




FRONT VIEW



SIDE VIEW



ISO VIEW

UNLESS OTHERWISE SPECIFIED DIMENSIONS ARE IN MILLIMETERS SURFACE FINISH: TOLERANCES: LINEAR:ANGULAR:	DEBUR AND BREAK SHARP EDGES	DO NOT SCALE DRAWING	REVISION
	PROJECT:	DWG NAME: POD	SCALE: A3
DRAWN BY : RAHUL BISHT		 furniture & more	
DATE : 10-02-2023			